



APPROVAL

Class EI 120

Non toxic and asbestos free.

Does not emit toxic gases and dense fumes.

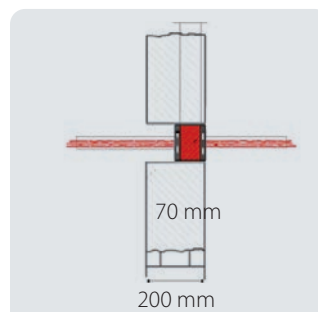
In compliance with standard EN 1366-3.

FIRE STOP SEAL

Fire stop barrier in intumescent sealing mastic.

Intumescent mastic to seal and close small voids in walls, also in addition to other types of barriers. It is applied to seal a void or to provide a barrier in a cable duct.

- ▶ **A polymer compound with fireproof fibres and intumescent in an aqueous solution.**
- ▶ **Non-hygroscopic and thixotropic.**
- ▶ **Can be applied with a spatula.**



INSTALLATION

Once the edges of the opening have been finished and cleaned, the sealant putty is put in place with a spatula in the case of boxed product, or with a spatula or silicone gun for cartridge product.

For other dimensions or the application on plasterboard walls please contact Raytech.

PRODUCT / Item		Package
FSS 310	91000-010	0,3 kg cartridge
FSS 10	FSS-10	Spatula type, 10 kg drum

Intumescent sealant putty for corrugated pipes.

Mastice contenente grafite altamente sensibile al calore, specifico per tubazioni corrugate elettriche contenenti cavi; l'attraversamento può contenere fino a 2 corrugati da 25mm appaiati nello stesso foro, con cavi di sezione fino a 10mm².

PRODUCT / Item		Package
FSS-E-300	FSS-E-300	0,3 lt cartridge

INSTALLATION

The putty must be applied on both sides of the piping crossing through the wall.



APPROVAL

Class EI 120

Non toxic and asbestos free.

Does not emit toxic gases and dense fumes.

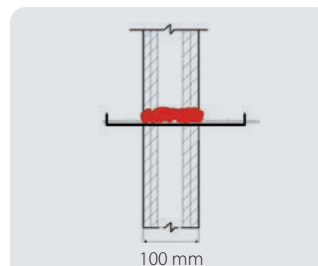
In compliance with standard EN 1366-3.

FIRE STOP FOAM

Fire stop barriers in expanding foam.

Single-component expandable sealant foam for filling and fire sealing of small crossing gates on cable duct channels that have been previously compartmented with FSB bags and small gaps. Each canister covers a volume of approximately 20 L.

- ▶ **Made from a fire resistant polyurethane based foam.**
- ▶ **Graphite fortified.**
- ▶ **Hardens upon contact with air.**
- ▶ **Suitable for the protection of plasterboard walls or slabs.**



INSTALLATION

After the edges of the openings have been cleaned, shake the can for at least 30 seconds, then turn upside down and spray the product.

PRODUCT / Item		Package
FSF 700	FSF-700	Spray can of 750 ml